

# EK 15 E



EK 15 E

## Immersion heater for simple additional heat.

**Thermia EK 15 E** is a complete and easy-to-install immersion heater for boilers, accumulators, heaters and larger heat pump systems, where there are no connections for immersion heaters. The immersion heater provides extra heat when ordinary output is insufficient.

Set the required temperature between 20 and 95°C and allow the built-in control system to look after the rest. The control system has seven power stages, which provides economical heating.

The built-in overheating protection function means that the heating will be switched off immediately if the boiler temperature exceeds the required value by more than 5°C. Once the temperature drops to the normal level, the setting automatically resets.

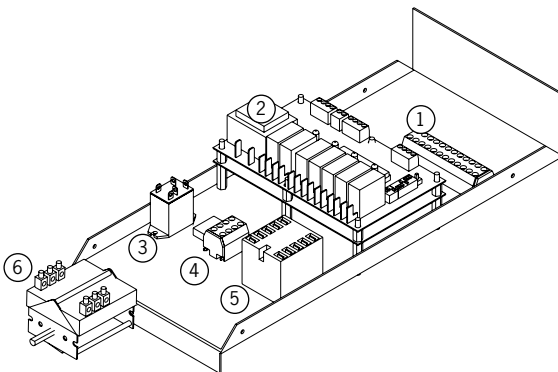
Climate control is possible by supplementing the immersion heater with an outdoor compensator.



# Technical data EK 15 E

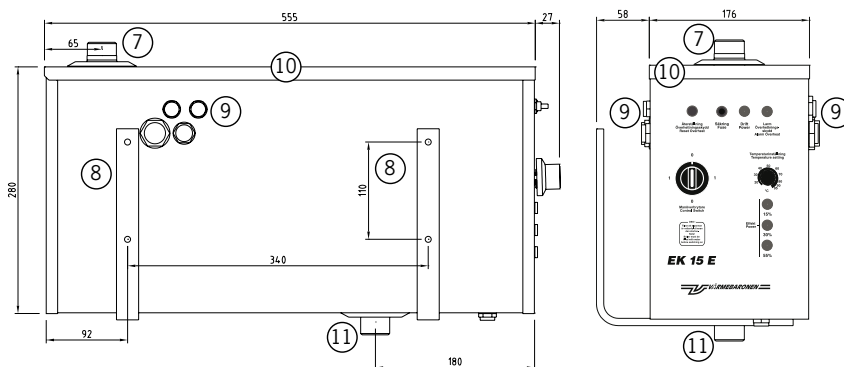
## Connection

- 1 Terminal block
- 2 Control electronics
- 3 Alarm relay (option)
- 4 Interference protection capacitor
- 5 Contactor power group three
- 6 Main circuit breaker
- 7 Supply/safety line R 25 ext.
- 8 Wall brackets
- 9 Cable lead-ins
- 10 Cover over connection area
- 11 Return line R 25 ext.



## Dimensions

Weight kg	Height mm	Width mm	Depth mm
13	280	176	590



EK 15 E	
Volume	4.5 litres
Rated pressure	1.5 bar
Test pressure	2.2 bar
Rated temperature	100°C
Output	14.7 kW
Voltage	400 V 3N~, 50 Hz
Current	21.2 A
Circuit breaker	3x25 A
Enclosure class	IP 24