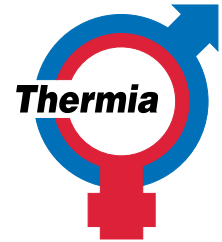


# Thermia Vent



Vent

## Recycling the heat you already have.

The **Thermia Vent** is a heat recycling unit that can be combined with all Thermia heat pumps. It helps you capture and reuse the indoor heat that is extracted from your home.

The Thermia Vent is an exhaust air module – it uses the house's exhaust air to heat the coolant in your heat pump. This means that heat is recycled instead of being wasted and that the pump's COP\* increases. All in all, it's a win-win situation for our environment and your wallet.

The Thermia Vent has been designed for installation on the wall next to your heat pump or elsewhere in your home.



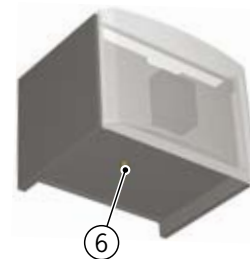
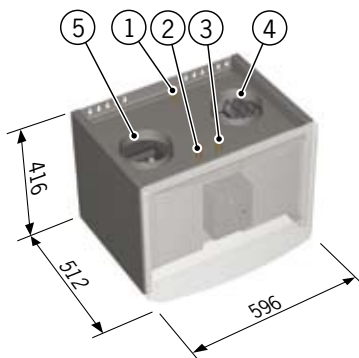
\* COP (Coefficient Of Performance) is the measurement of how efficiently the heat pump operates.

# Technical data Vent

## Connection

- 1 Bleeding
- 2 Water IN, DN 15
- 3 Water OUT, DN 15
- 4 Air IN, connection dim. 160
- 5 Air OUT, connection dim. 160
- 6 Drainage line, DN 15

Built-in circulation pump.

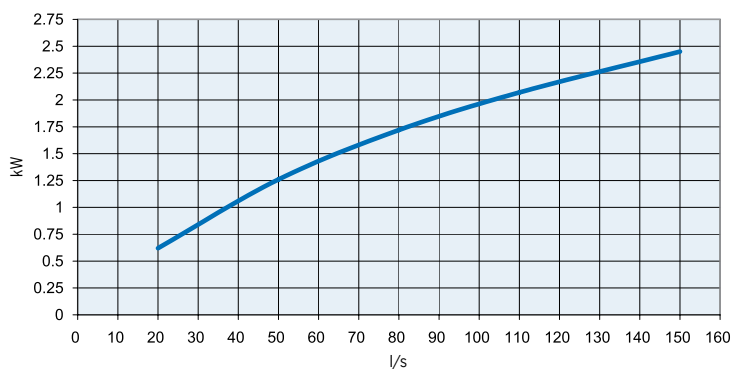


Vent	
Electrical connection	230 V
Fan output	120 W
Water flow	0.15 <sup>(1)</sup> l/s 0.2 <sup>(2)</sup> l/s
Ventilation connection	160 mm
Condensation line dimension	DN 15 mm (int. thread)
Weight	34 kg

- 1) At air flow of 40 l/s – 80 l/s
- 2) At air flow of 80 l/s – 140 l/s

In usual cases, the capacity of the unit is sufficient for living areas up to 250 m<sup>2</sup>.

### Energy transfer



### Capacity chart Fan 120 W

